

4

3

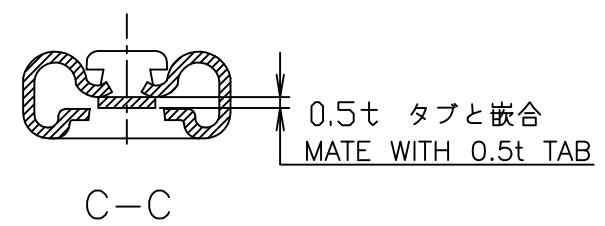
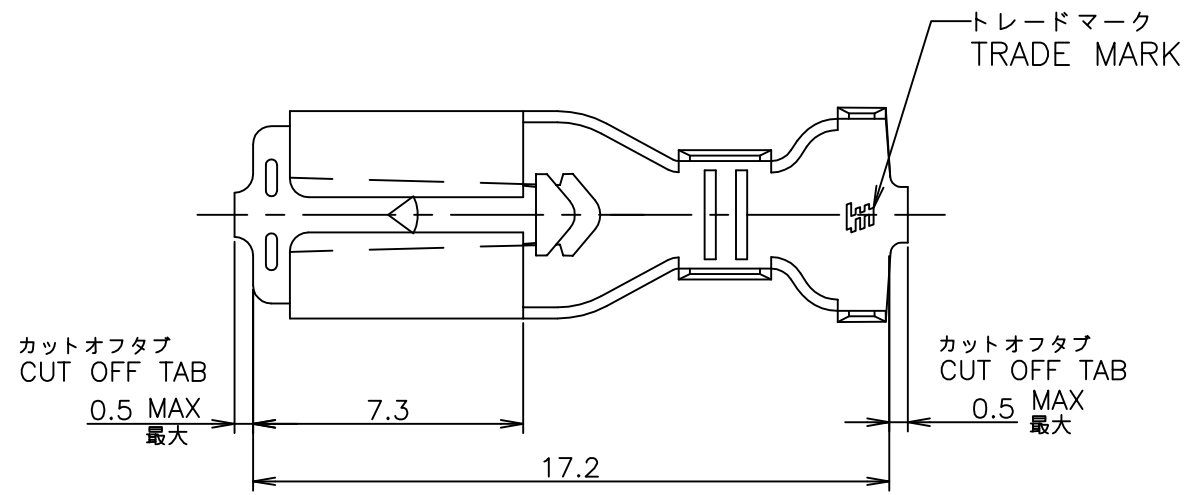
2

1

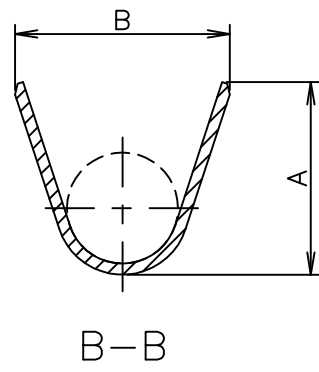
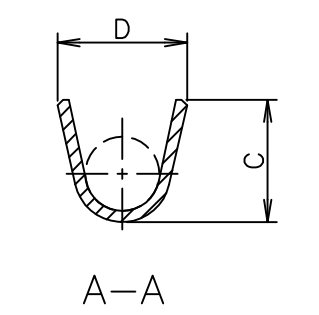
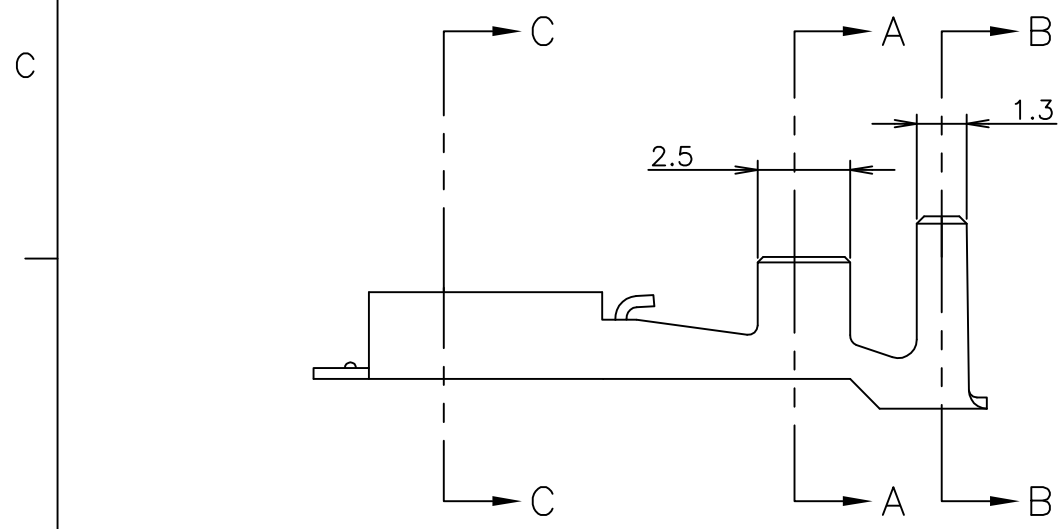
THIS DRAWING IS UNPUBLISHED. RELEASED FOR PUBLICATION MAY, 1999.
 © COPYRIGHT 1999 By - ALL RIGHTS RESERVED.

LOC	DIST	REVISIONS 変更			
P	LTR	DESCRIPTION	DATE	DWN	APVD
J	/				
		K1	REVISED PER ECO-11-005030	11MAR11	RK HMR
		L	REVISED PER ECR-11-023801	23NOV11	LL FM

-1, -5, -7; AS SHOWN



- 1 運用スリーブ型番: 174737
 - 2 取扱説明書: 411-5391
 - 3 手動工具型番: 911588-1
 - ⚠ 材料: 錫めっき済み黄銅 (0.3t)
 - ⚠ 材料: 錫めっき済み磷青銅 (0.3t)
-
- 1 APPLICABLE SLEEVE P/N: 174737
 - 2 INSTRUCTION SHEET NO: 411-5391
 - 3 HAND TOOL NO.: 911588-1
 - ⚠ MATERIAL: PRE-TIN BRASS (0.3t)
 - ⚠ MATERIAL: PRE-TIN PHOS BRO (0.3t)



2.8	2.7	4.3	4.2	108-5236	⚠	173725-7	10, INCH PAPER REEL	173724-7
3.3	3.5	4.3	4.2	108-5685	⚠		10, INCH PAPER REEL	173724-5
3.3	3.5	5.8	5.2	108-5236	⚠	173725-1	10, INCH PAPER REEL	173724-1
D	C	B	A	PRODUCT SPEC 製品規格	MATERIAL 材料	L.P.NO. ばら状端子型番	REEL SIZE	P/N 型番

WIRE RANGE 包含電線断面積	AWG #20-#14 0.5~2.2 mm ²	INSULATION DIA 被覆外径	1.9~4.4 mm ϕ
-----------------------	--	------------------------	-------------------

GENERAL TOLERANCE
一般公差

10 \geq : ± 0.2
 30 \geq > 10: ± 0.25
 100 \geq > 30: ± 0.3
 ANGLES: $\pm 3^\circ$

THIS DRAWING IS A CONTROLLED DOCUMENT.

DIMENSIONS:
単位: 耗
mm

TOLERANCES UNLESS
OTHERWISE SPECIFIED:
一般公差

0 PLC \pm
 1 PLC \pm
 2 PLC \pm
 3 PLC \pm
 4 PLC \pm
 ANGLES \pm

MATERIAL 表参照
材料 SEE TABLE

FINISH 仕上

DWN M.SUZUKI 10MAY1999
 CHK M.SHINDO 10MAY1999
 APVD M.SHINDO 10MAY1999
 PRODUCT SPEC 表参照
製品規格 SEE TABLE
 APPLICATION SPEC 取付適用規格
114-5114
 WEIGHT

TE TE Connectivity

NAME 名称
187 SERIES POSITIVE LOCK-EX
187 シリーズ ポジティブ ブロッカー-EX リセブタクル

SIZE A3 CAGE CODE 00779 DRAWING NO. 番号 C=173724 RESTRICTED TO

CUSTOMER DRAWING SCALE 尺度 5:1 SHEET 1 of 1 REV L